



Agpoint Australia

Replacement IHC Offset Parts

Recommended Retail Price List No. 173

Prices Subject To Change Without Notice

PART NUMBER	DESCRIPTION	CASTING PART NUMBER	DIAGRAM ITEM NUMBER
----------------	-------------	---------------------------	---------------------------

IHC3-4 Offset Parts

GW805638R4	Gang Bolt - 7'6" long, 29mm Sq. (incl nyloc nuts).		1
GW805719R4	Gang Bolt - 9'0" long, 29mm Sq. (incl nyloc nuts).		1
	NB. A 20 plate unit uses: 2 x GW805638R4		
	A 24 plate unit uses: 2 x GW805719R4		
GWE175721	Spacing Spool	GWT 10	2
GW804981R2	Bearing Spacer	GWT 13	9
GW804986R2	Bearing Clamp: 2 required per bearing	GWT 11	5
GW805617R2	Arbor Bolt washer	GWT 12	7
GW806506R91	Bearing		10
GW804985R1-4	Bearing Rubber Strip - Pack of 2		6
GW806484R1	Rockshaft Casting	GWT14	11



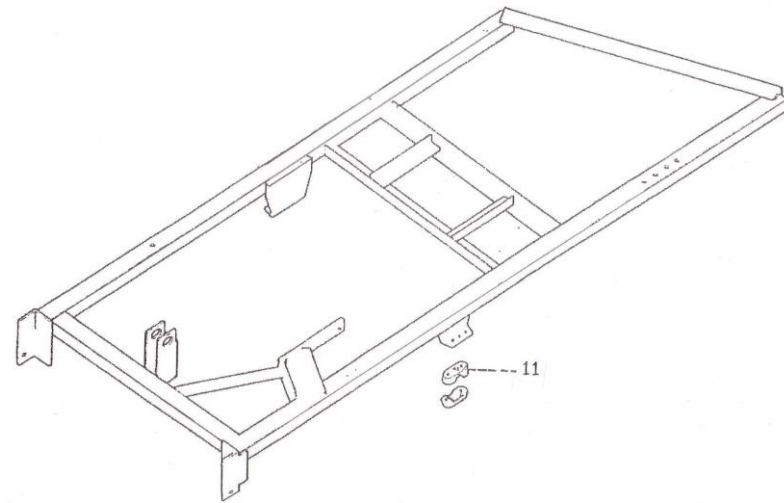
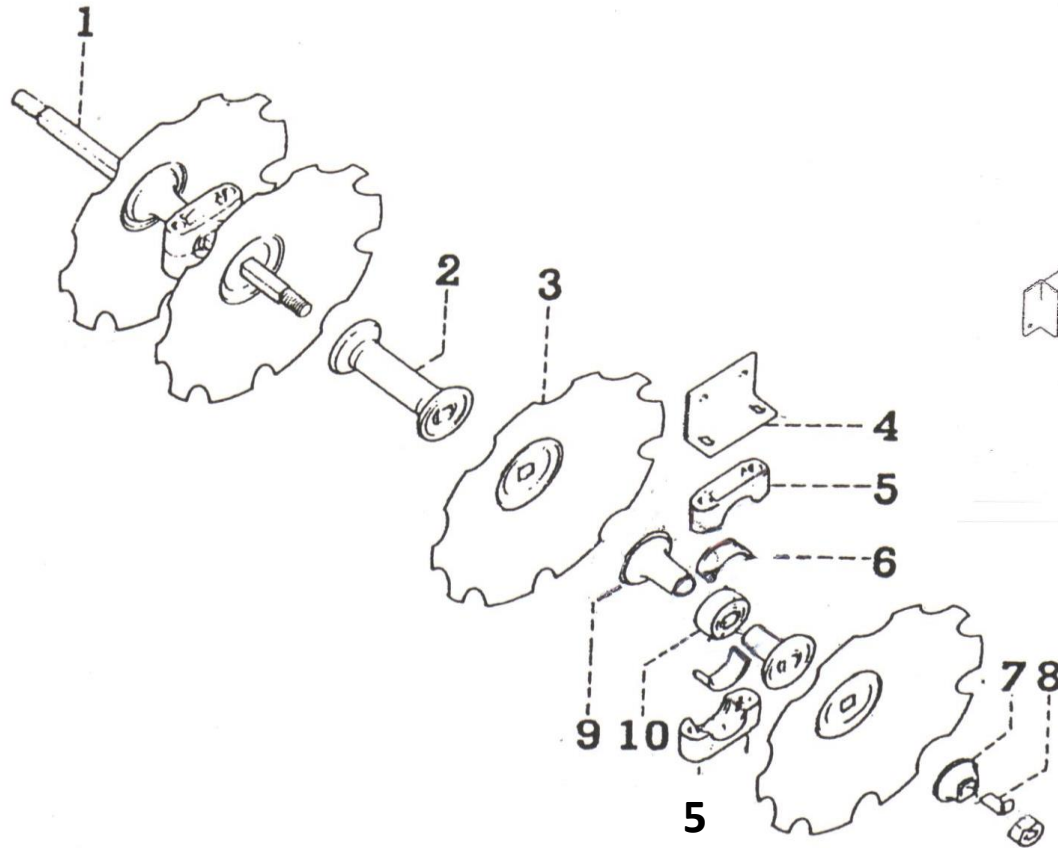
Agpoint Australia

Replacement IHC Offset Parts

Recommended Retail Price List No. 173

Prices Subject To Change Without Notice

IHC3-4 Offset Parts Diagrams



FreeCall 1800 088 538

9

FreeFax 1800 802 394