



Agpoint Australia

Replacement IHC Offset Parts Recommended Retail Price List No. 173

Prices Subject To Change Without Notice

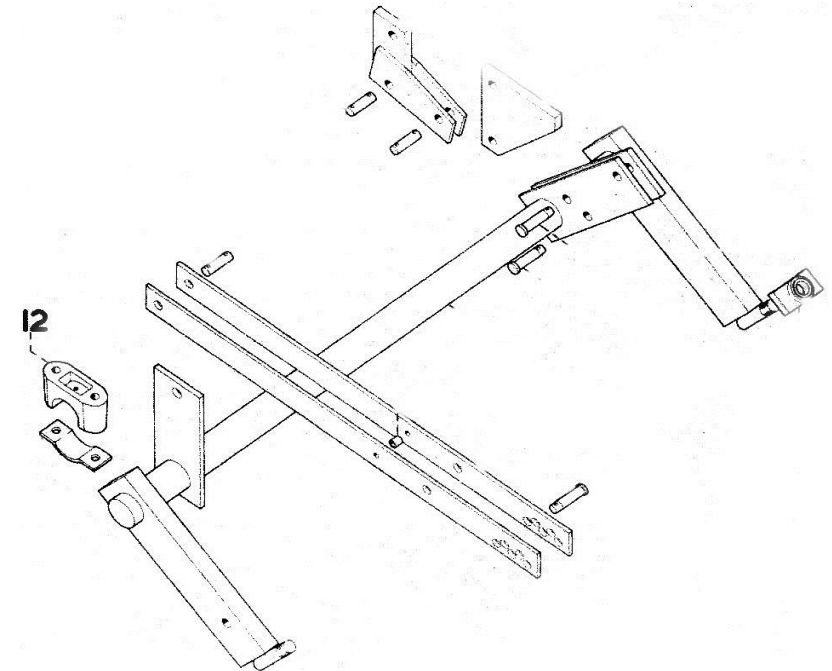
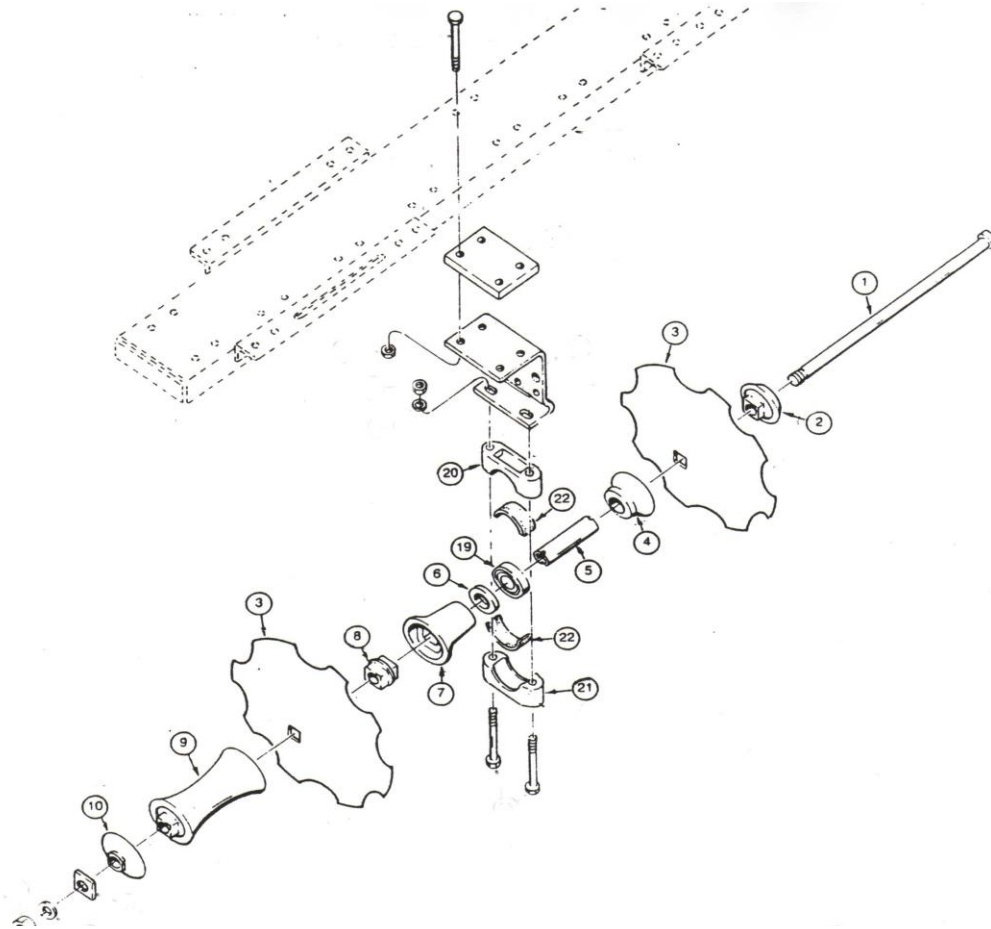
PART NUMBER	DESCRIPTION	CASTING PART NUMBER	DIAGRAM ITEM NUMBER
GW805805R1	Gang Bolt - 1486mm long, 38mm Round.		1
GW805806R1	Gang Bolt - 2020mm long, 38mm Round.		1
	NB. A 24 plate unit uses: 4 x GW 805805R1		
	A 28 plate unit uses: 2 x GW 805805R1 & 2 x GW 805806R1		
	A 32 plate unit uses: 4 x GW805806R1		
GW806049R1	Arbor Bolt washer - Male	GWT 08	2
GW805809R1	Spool Bearing with concave	GWT 07	4
GW806051R1	Driver Tube		5
GW805810R1	Bearing Spacer Washer		6
GW805808R1	Spool Bearing with convex	GWT 04	7
GW481328R1	Driver Lock	GWT 03	8
GW490536R1	Spacing Spool	GWT 02	9
GW805807R1	Arbor Bolt washer - Female	GWT 01	10
GW806052R1	Bearing Clamp - Lower	GWT 05	21
GW481335R1	Bearing Clamp - Upper	GWT 06	20
GW958334R91	Bearing		19
GW481334R1-4	Bearing Rubber Strip - Pack of 4 (for 1 bearing)		22
GW805829R1	Rockshaft Casting	GWT15	12
GW805828R1	Rockshaft Casting		13
GW644361R1	Mud Scraper Blade only		Not illustrated



Agpoint Australia

Replacement IHC Offset Parts
Recommended Retail Price List No. 173
Prices Subject To Change Without Notice

IHC3-5 Offset Parts Diagrams



FreeCall 1800 088 538

11

FreeFax 1800 802 394



Agpoint Australia

Replacement IHC Offset Parts
Recommended Retail Price List No. 173
Prices Subject To Change Without Notice



Agpoint Australia

Replacement IHC Offset Parts
Recommended Retail Price List No. 173
Prices Subject To Change Without Notice
