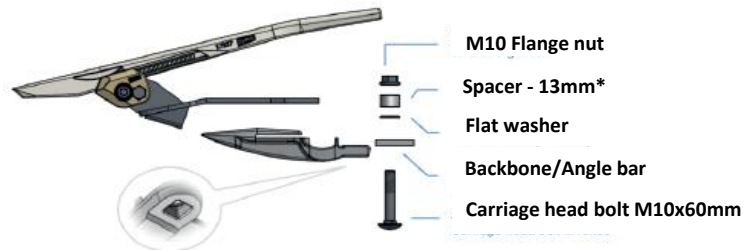


SCHUMACHER *PRO FLEX* MOUNTING KITS

86080178 - FOR GUARDS & SKIDS WITH SQUARE HOLES



* The 13mm spacers are supplied with the *Pro Flex* Croplifters

On some applications you may have to add flat washers to achieve an even height - see mounting instructions.

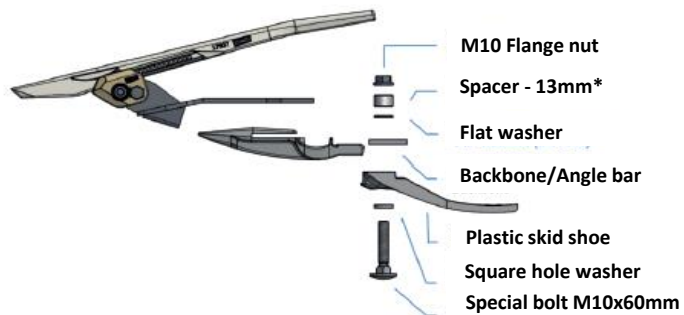
86080179 - FOR GUARDS & SKIDS WITHOUT SQUARE HOLES



* The 13mm spacers are supplied with the *Pro Flex* Croplifters

On some applications you may have to add flat washers to achieve an even height - see mounting instructions.

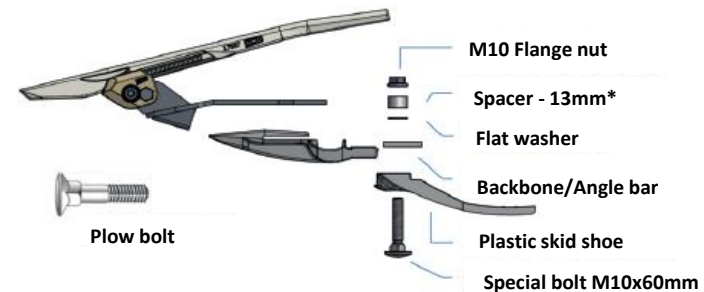
86080180 - FOR MACDON HEADER WITH SKID SHOES



* The 13mm spacers are supplied with the *Pro Flex* Croplifters

On some applications you may have to add flat washers to achieve an even height - see mounting instructions.

86080180 - FOR HEADER WITH PLOW BOLTS (Do not need square hole washer)



* The 13mm spacers are supplied with the *Pro Flex* Croplifters

On some applications you may have to add flat washers to achieve an even height - see mounting instructions.

NOTE - PRO FLEX MOUNTING KITS ARE SUPPLIED IN PACKS OF 10 ie 1 PACK CONTAINS 10 MOUNTING KITS